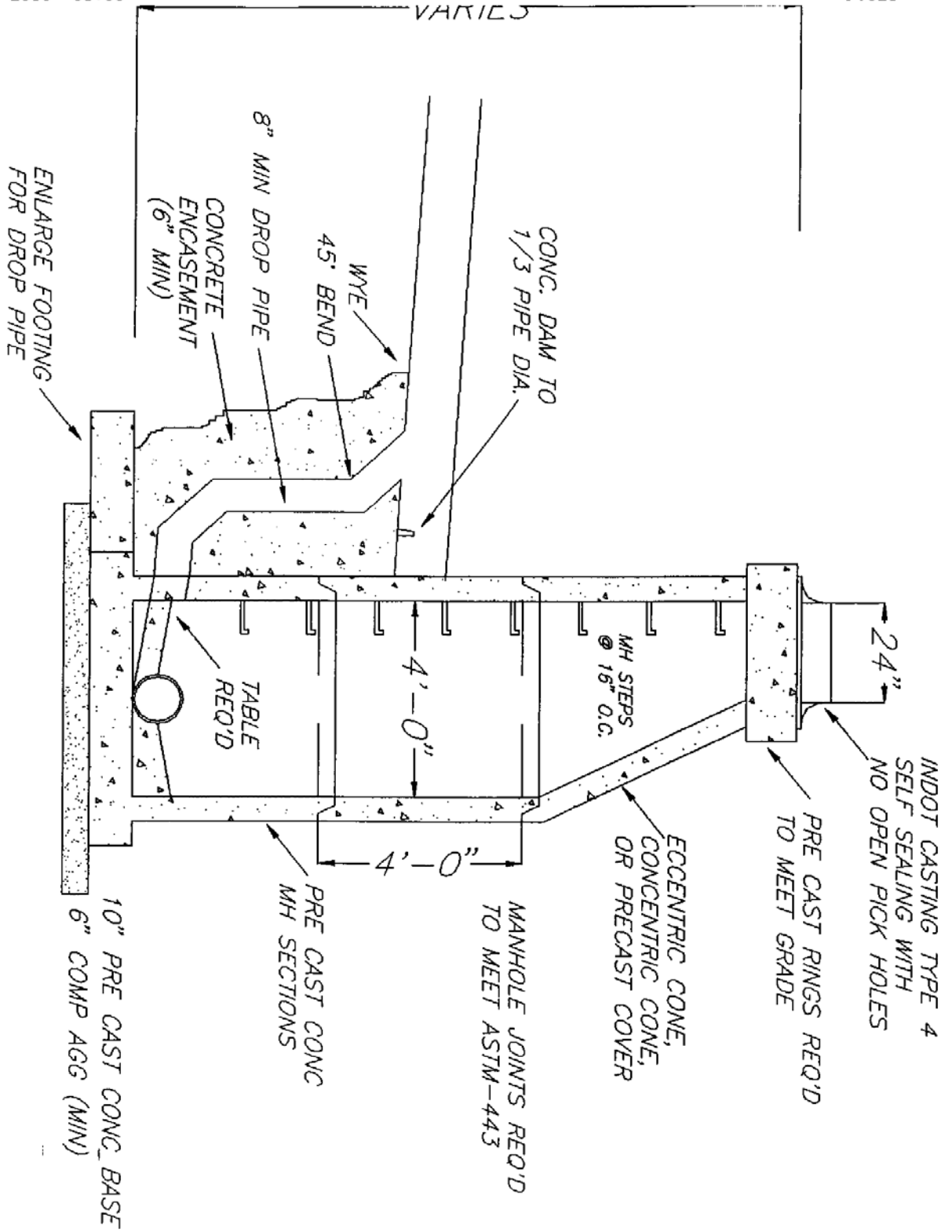


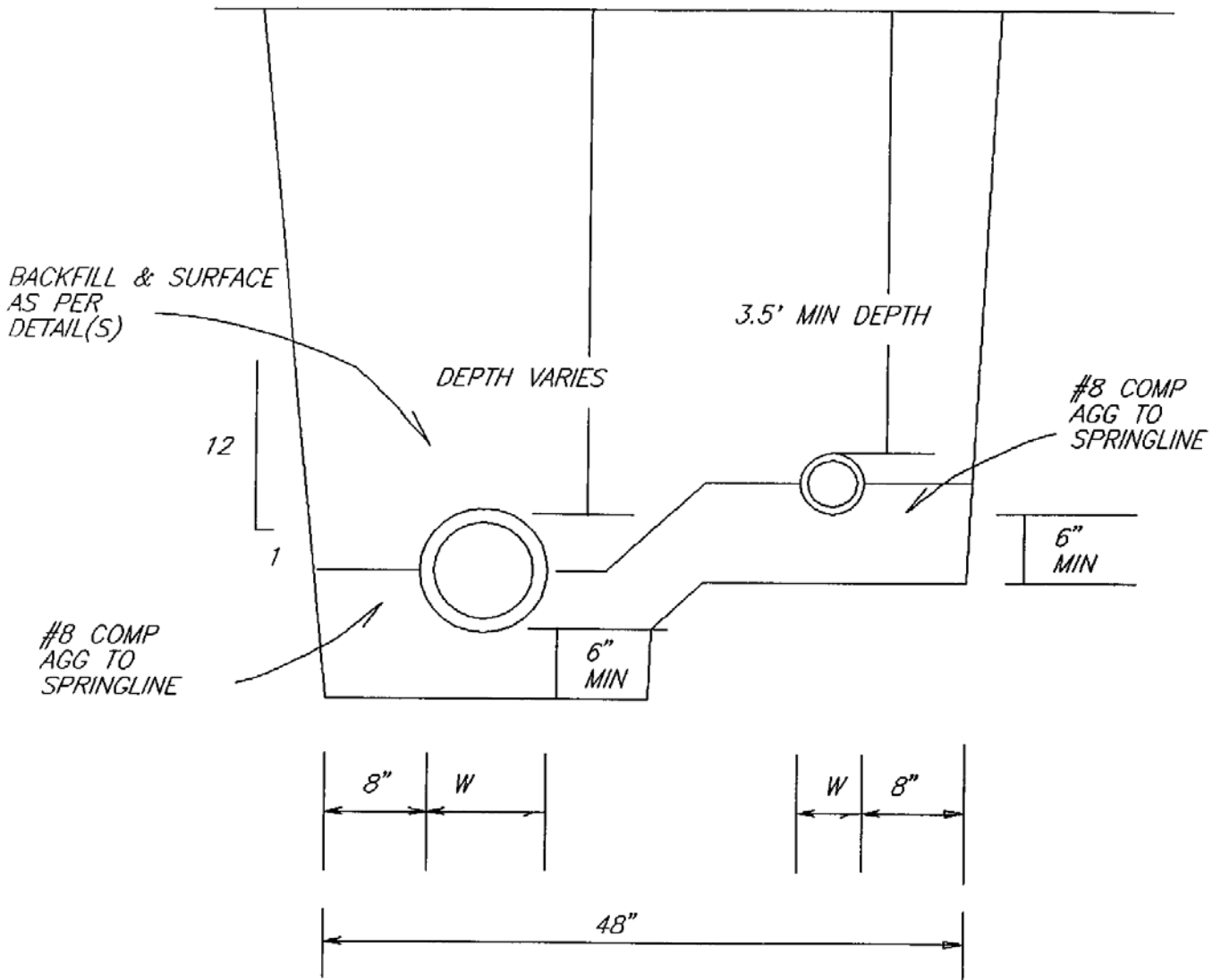
# SANITARY MANHOLE C-4

N.T.S.



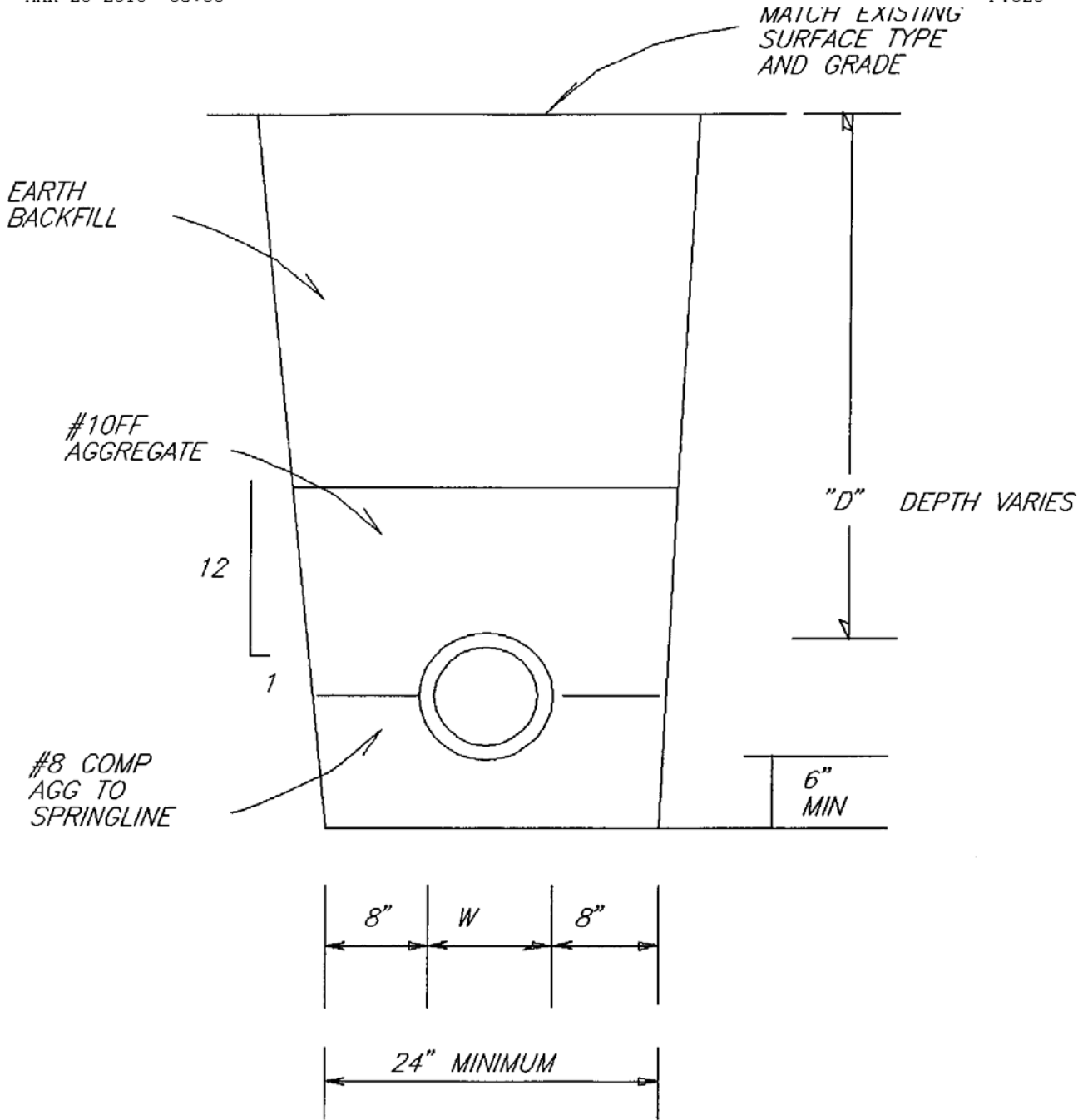
# DROP MANHOLE DETAIL

N T G



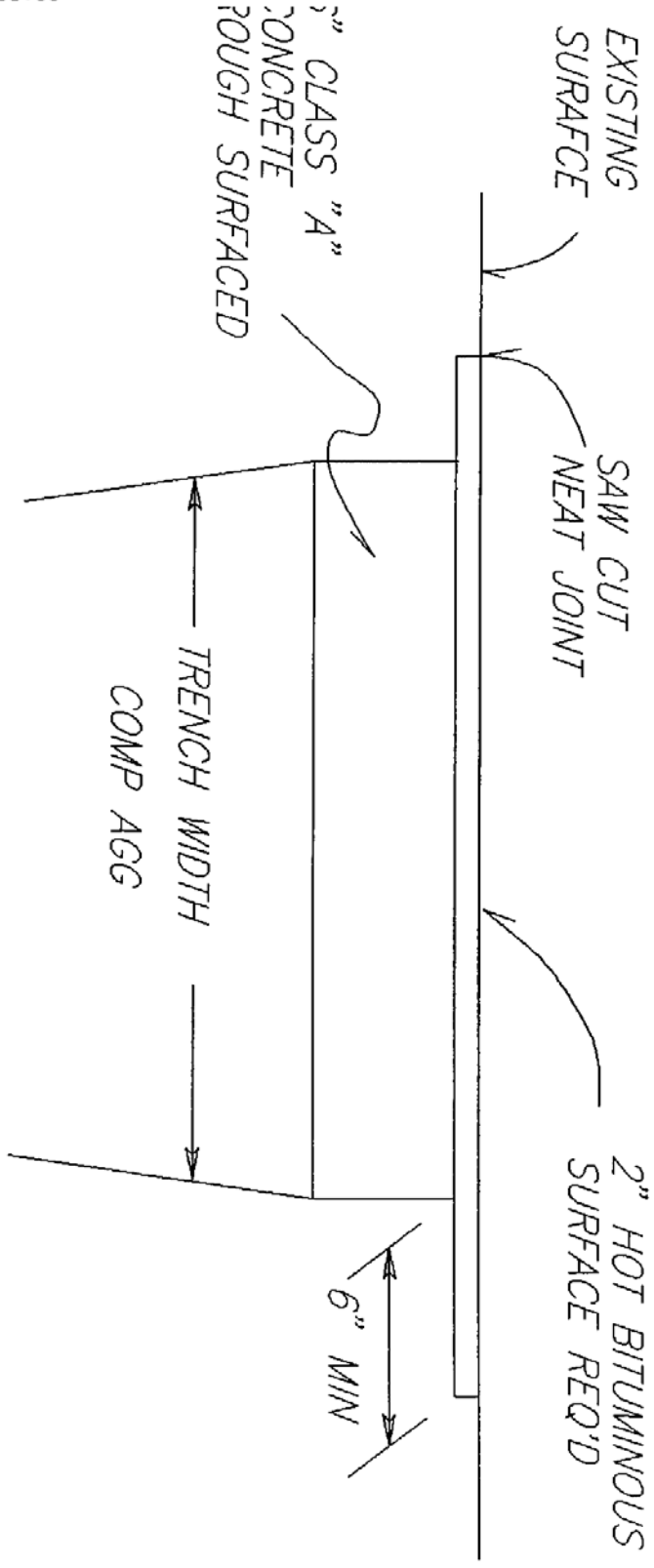
# COMBINED GRAVITY & FORCE MAIN TRENCH DETAIL

N.T.S.



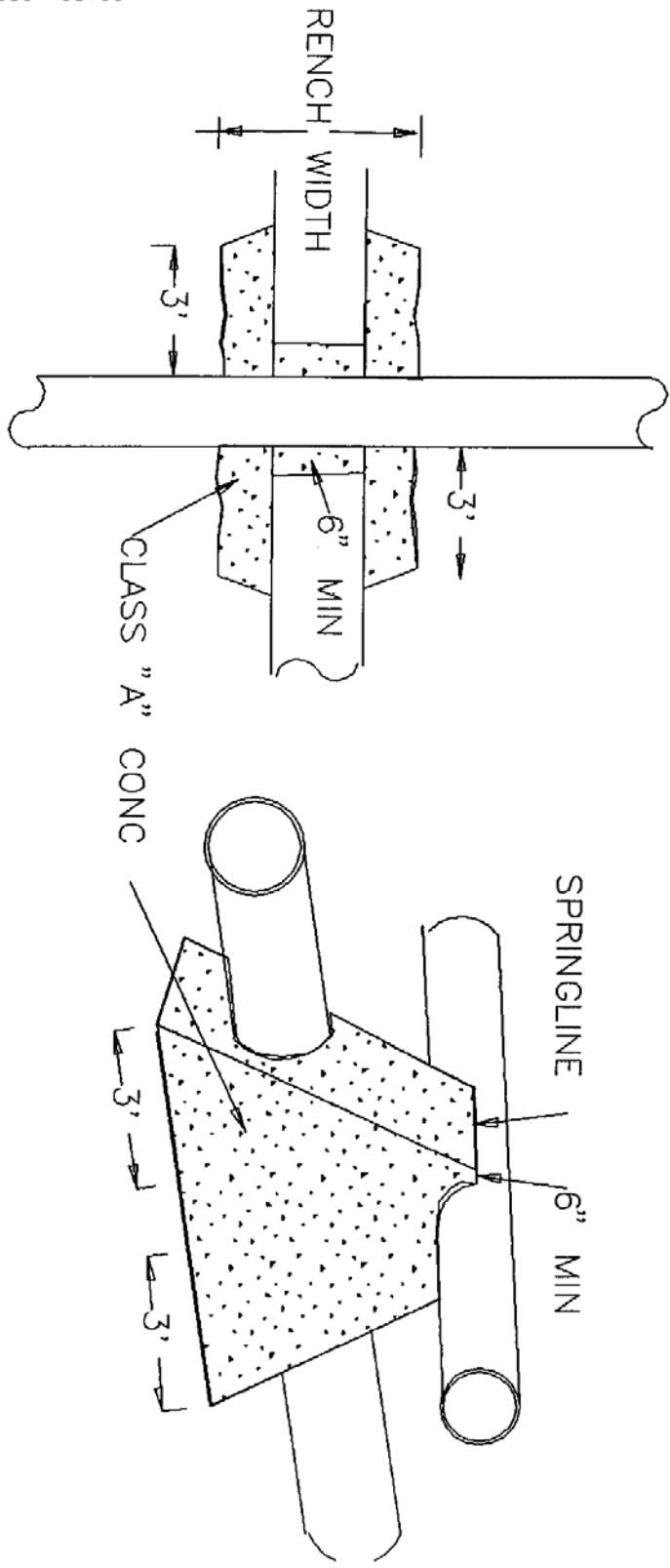
# STANDARD TRENCH DETAIL (SEWER)

N.T.S.



# PAVEMENT PATCH DETAIL

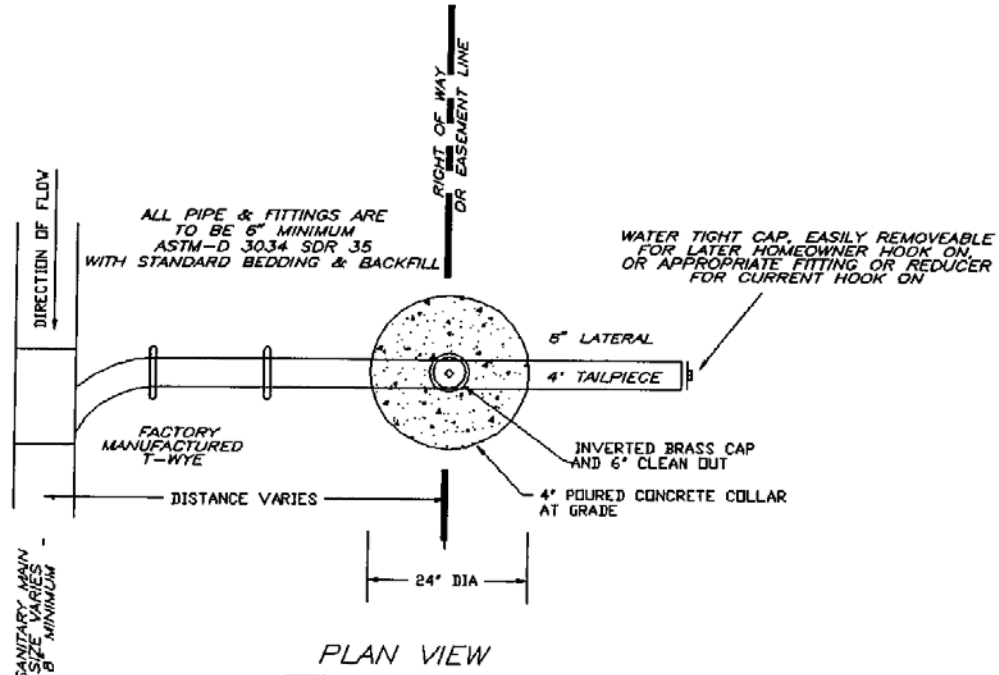
N.T.S.



WHERE 12" VERTICAL SEPARATION CANNOT BE MAINTAINED THE FOLLOWING CONCRETE ENCASEMENT SHALL BE PLACED

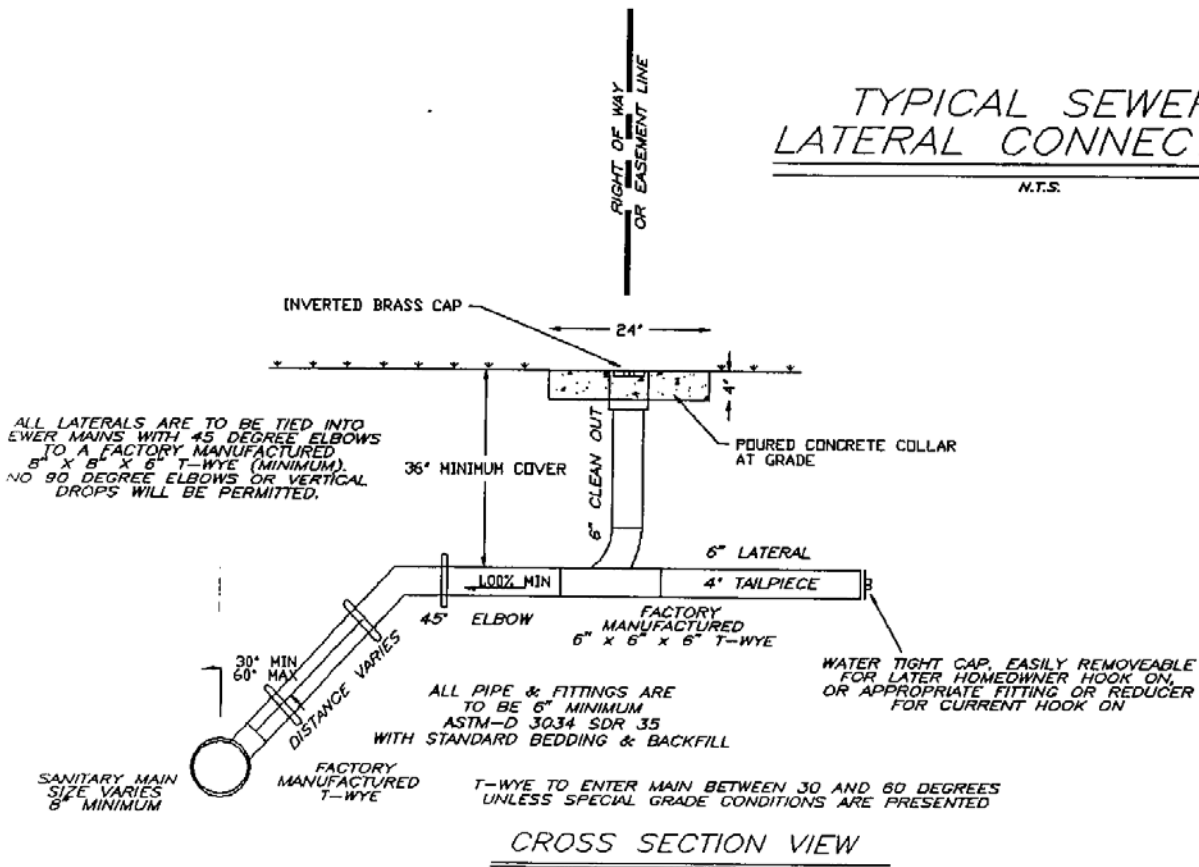
CROSSING DETAIL

N/T C

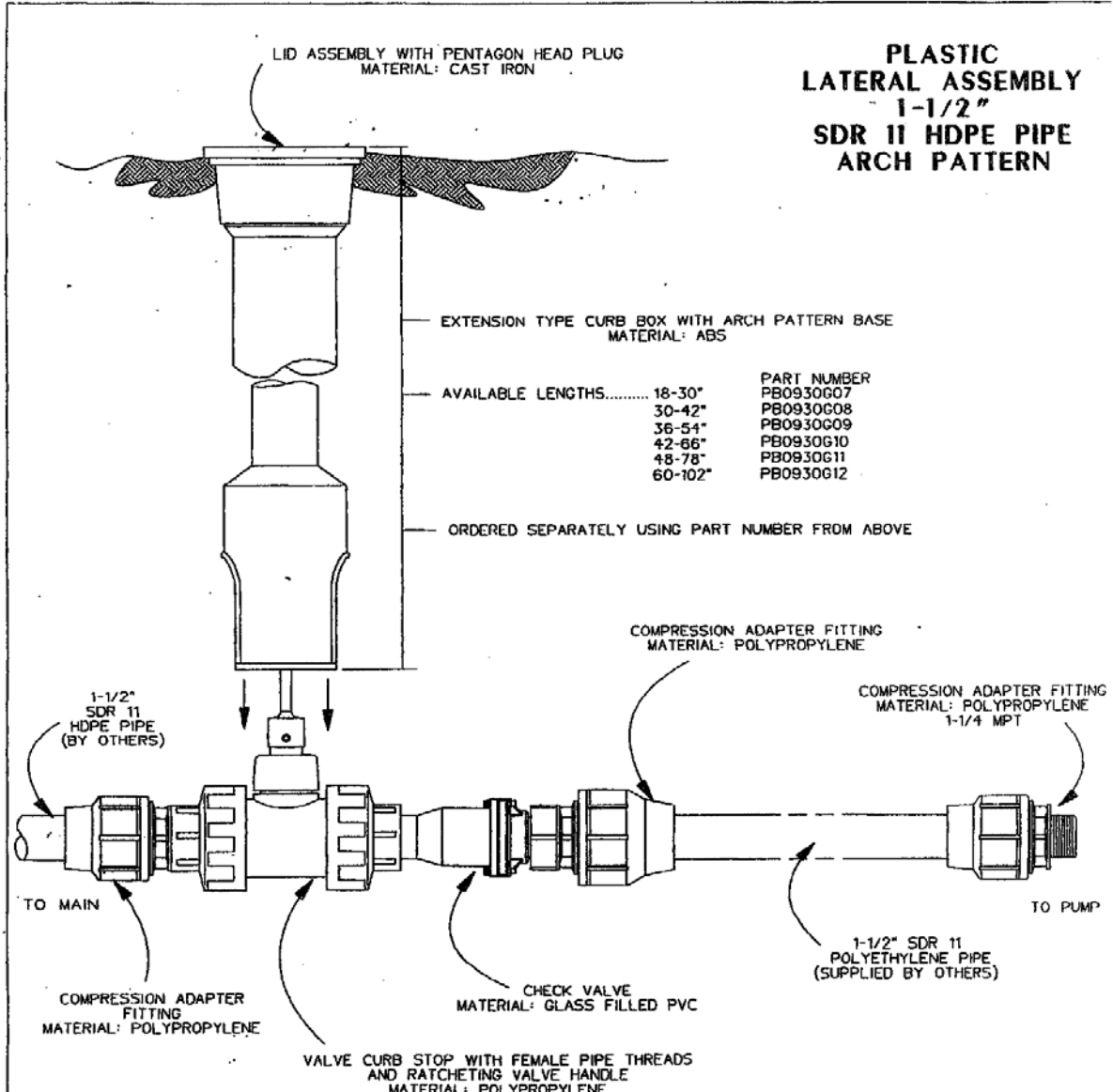


# TYPICAL SEWER LATERAL CONNECTIONS

N.T.S.



**PLASTIC  
LATERAL ASSEMBLY  
1-1/2"  
SDR 11 HDPE PIPE  
ARCH PATTERN**



PRESSURE RATING: 150 psi

ASSEMBLY TO BE USED WITH 1-1/2" SDR 11 PIPE ONLY

TO ORDER LATERAL ASSEMBLY SHOWN,  
USE PART NUMBER PC0645G22.

ORDER CURB BOX SEPERATE; SEE ABOVE.

AD	SFG	12/16/04	-	3/16
DR BY	CHK'D	DATE	ISSUE	SCALE

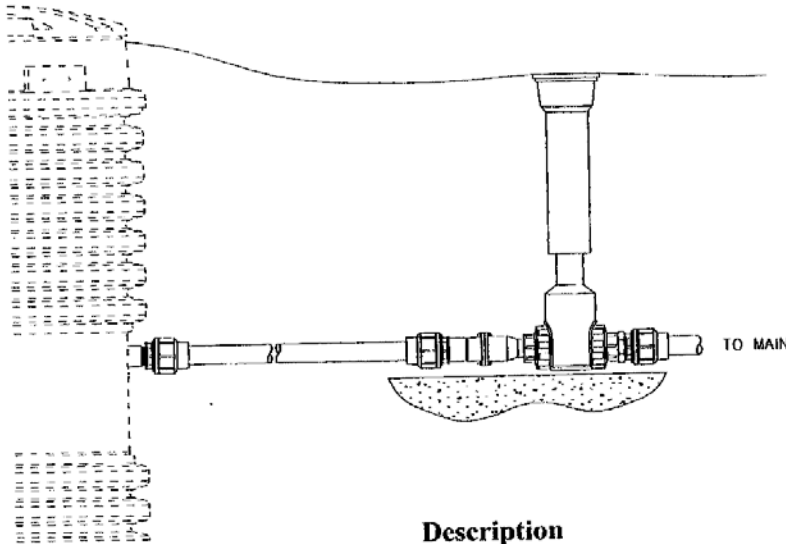


PLASTIC LATERAL ASSEMBLY  
1-1/2" SDR 11 HDPE PIPE ARCH PATTERN

PA1998P01



## Forced Sewer Main Service Lateral Kits SDR 11 HDPE Pipe featuring Engineered Thermoplastic Valves and Fittings



### Description

These kits feature all components commonly needed to connect an Environment One Series 2000 grinder pump station to the corporation stop/saddle tap on a sewer main. The kit is designed to be used with SDR 11 HDPE pipe, high density polyethylene pipe (provided by others) and includes compression fittings for fast, easy field installation. The curb stop assembly integrates a robust polypropylene ball valve curb stop and Environment One's field-proven redundant check valve. Curb boxes are supplied in Arch pattern with support plate included.

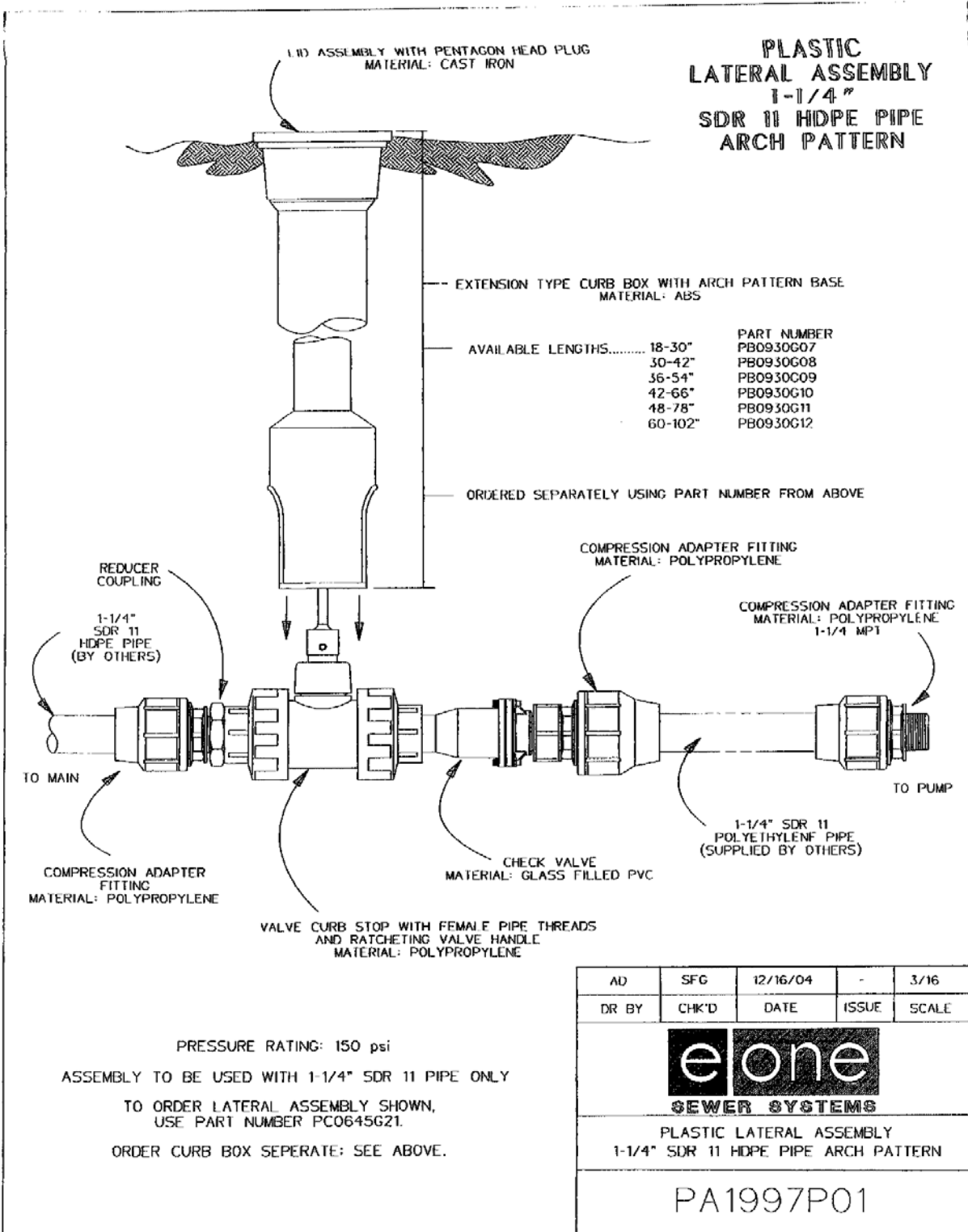
Thank you for considering E/One's Forced Sewer Main Lateral Kits. As you review the following information, please note that we have included order instructions on the last page of this section for your convenience.

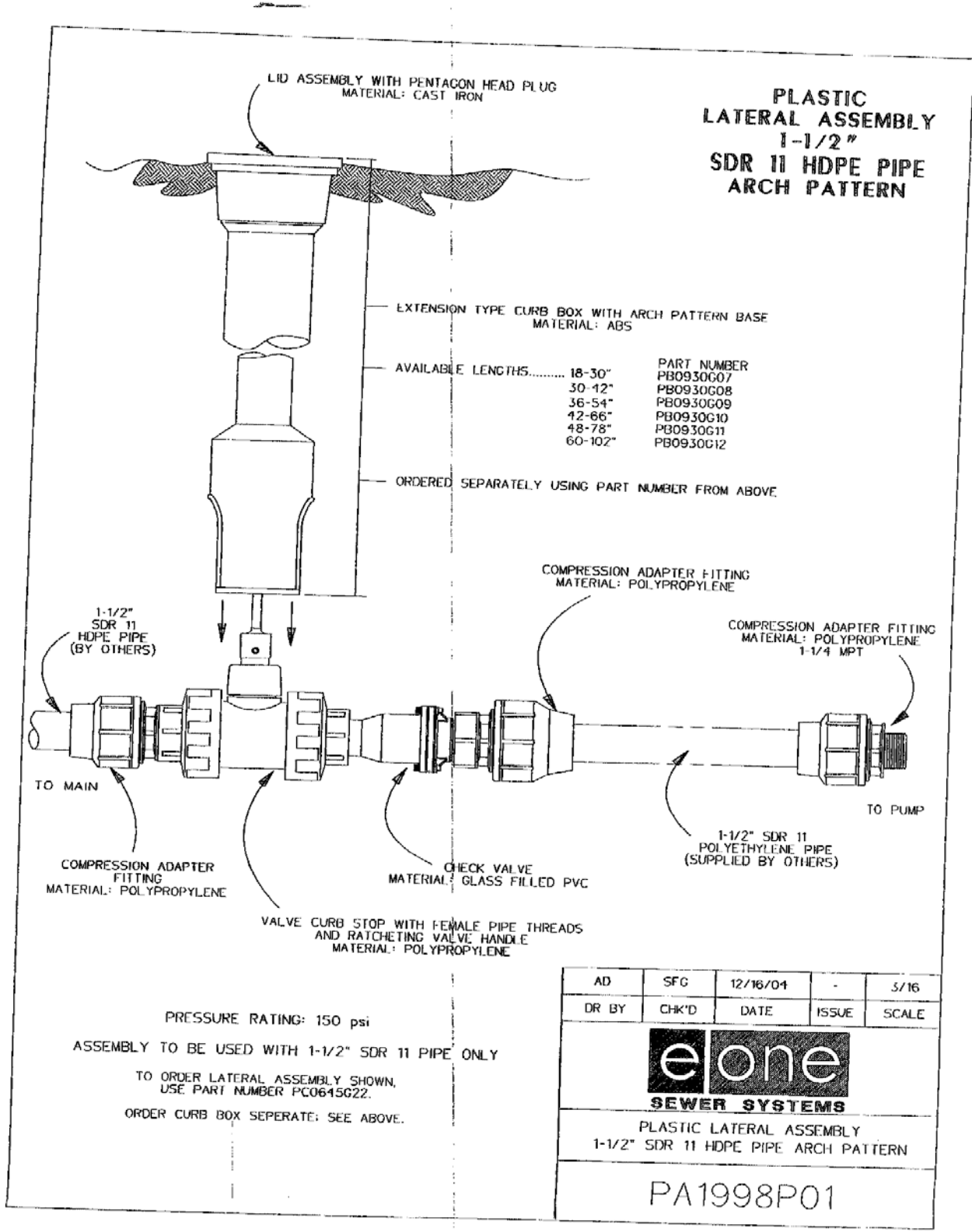
### Standard Features

- Compression couplings for 1 1/4" SDR 11 HDPE pipe
- All fittings designed and tested to 150 psi service pressure
- Factory-assembled, integrated ball valve curb stop and check valve assembly
- Check valve made from glass-filled PVC with fabric-reinforced elastomeric flapper
- Arch pattern curb boxes in heights from 1 1/2 feet to 7 feet
- Curb boxes made from ABS with cast iron lids
- Rated for 150 psi

### Optional Features

- Compression couplings for 1 1/2" SDR 11 HDPE pipe
- Curb boxes for 1 1/2" SDR 11 HDPE pipe
- Curb boxes available in several sizes



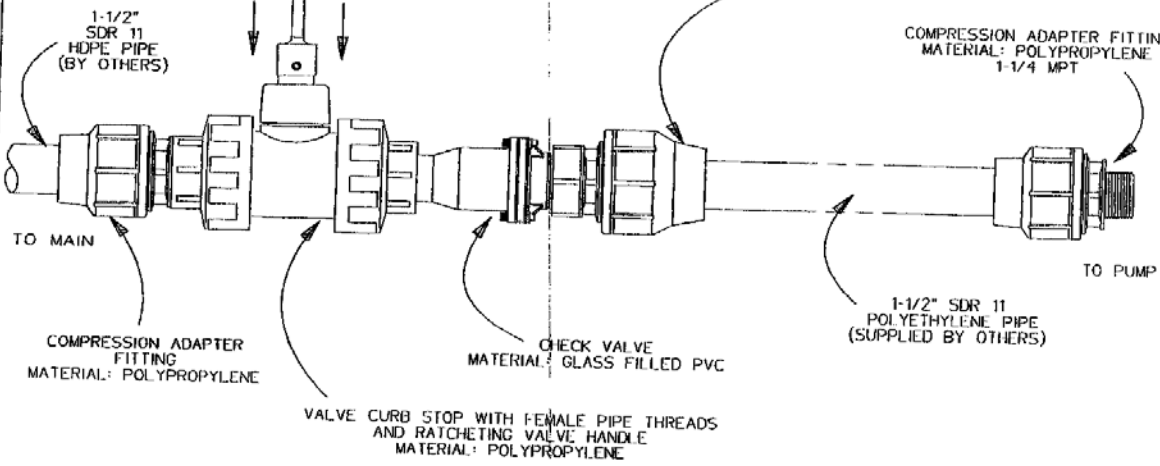


**PLASTIC LATERAL ASSEMBLY  
1-1/2" SDR 11 HDPE PIPE ARCH PATTERN**

EXTENSION TYPE CURB BOX WITH ARCH PATTERN BASE  
MATERIAL: ABS

AVAILABLE LENGTHS.....	18-30"	PART NUMBER
	30-42"	PB0930G07
	36-54"	PB0930G08
	42-66"	PB0930G09
	48-78"	PB0930G10
	60-102"	PB0930G11
		PB0930G12

ORDERED SEPARATELY USING PART NUMBER FROM ABOVE



PRESSURE RATING: 150 psi

ASSEMBLY TO BE USED WITH 1-1/2" SDR 11 PIPE ONLY

TO ORDER LATERAL ASSEMBLY SHOWN,  
USE PART NUMBER PC0645022.

ORDER CURB BOX SEPERATE; SEE ABOVE.

AD	SFG	12/16/04	-	3/16
DR BY	CHK'D	DATE	ISSUE	SCALE



PLASTIC LATERAL ASSEMBLY  
1-1/2" SDR 11 HDPE PIPE ARCH PATTERN

PA1998P01